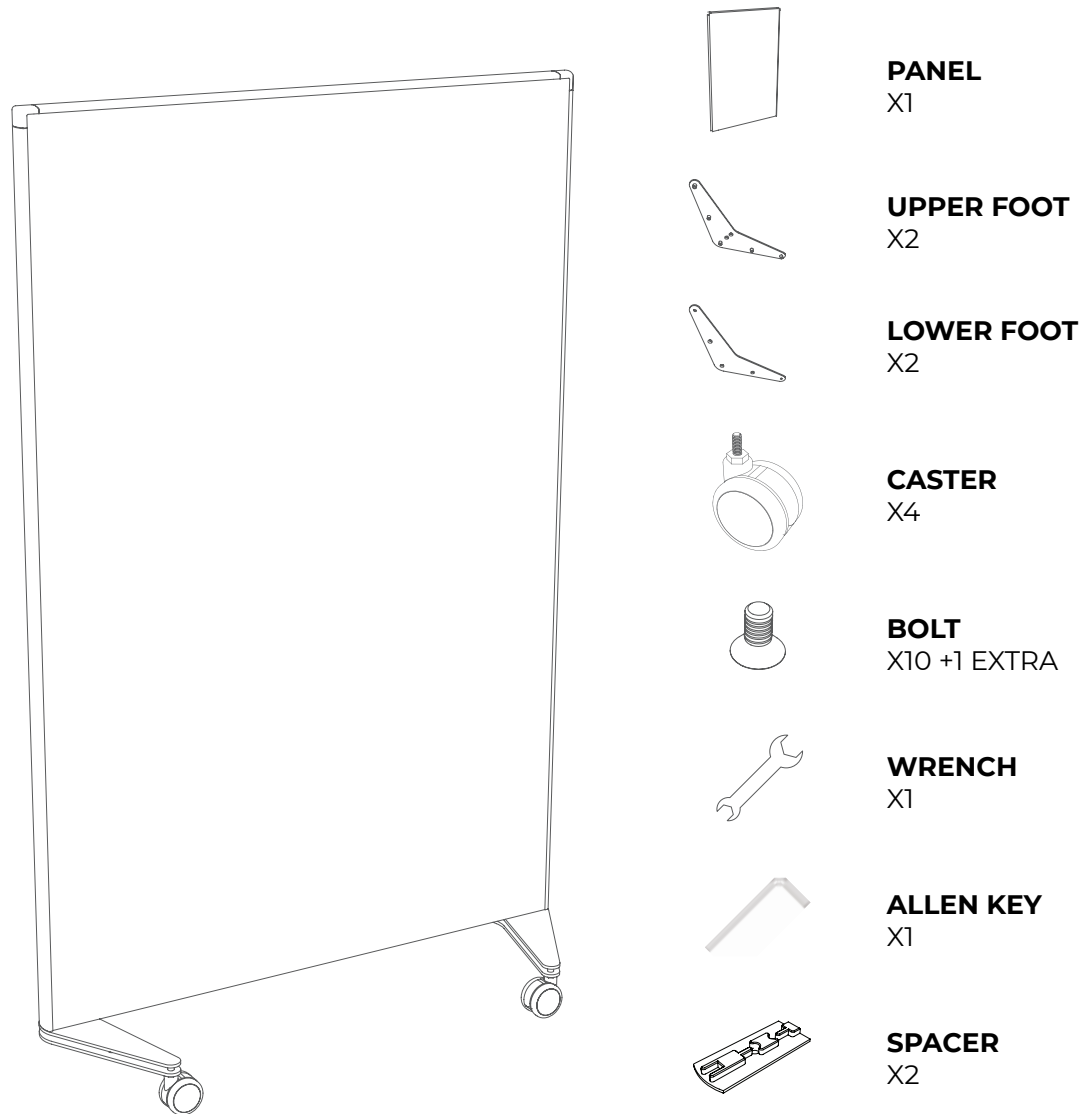


ASSEMBLY INSTRUCTIONS

# OBI WHITEBOARD

## PARTS



\*Images reflect typical hardware options. Please refer to packing list for items & quantities specific to your order

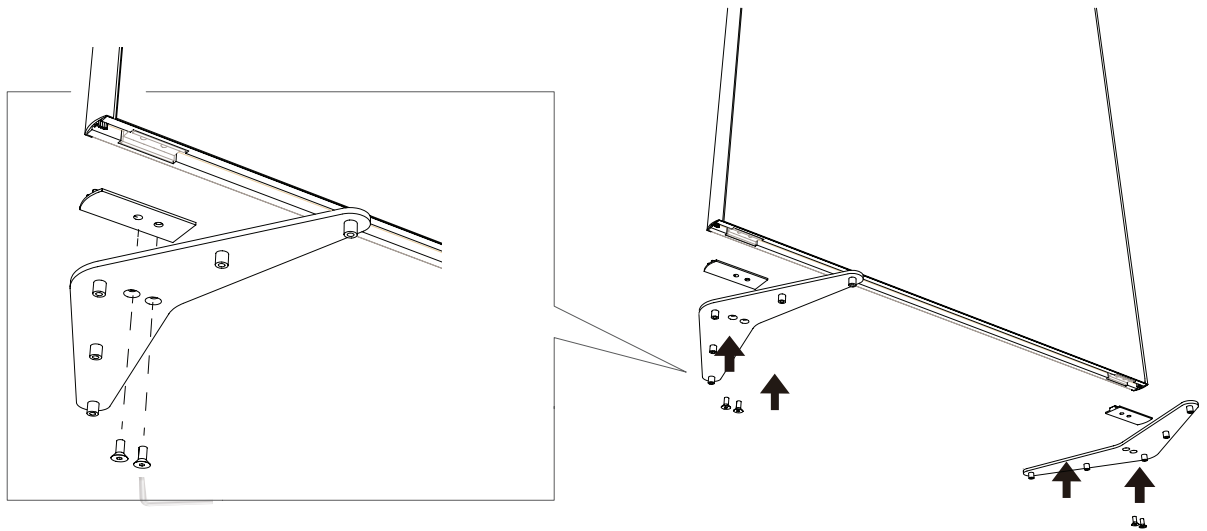
**Thank you for your order!**

For questions or concerns regarding your order or installation, please contact customer service at 1-844-441-1122 or via email at [sales@ayrsonics.com](mailto:sales@ayrsonics.com) (Canada) or [info@usa.ayrsonics.com](mailto:info@usa.ayrsonics.com) (USA).

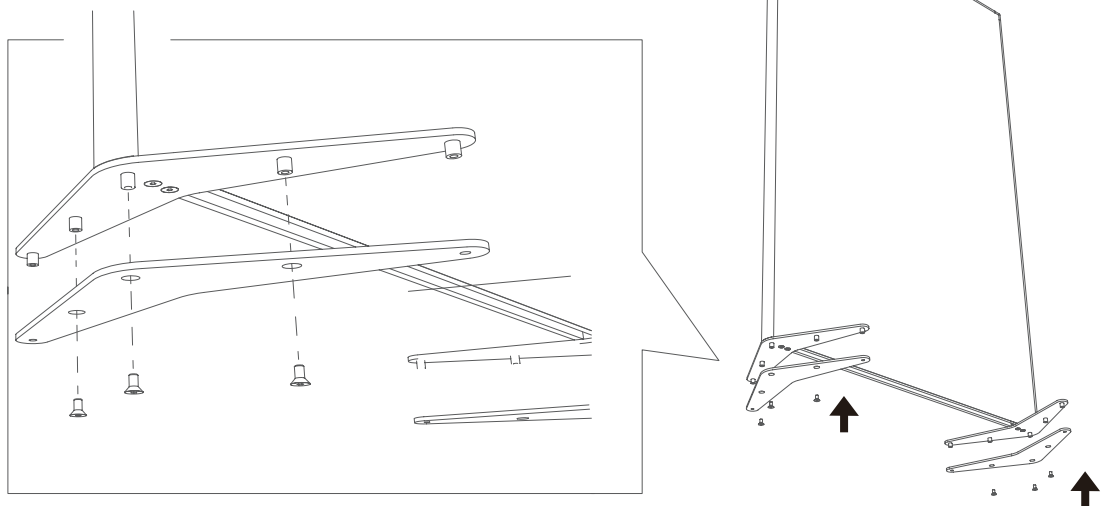
ASSEMBLY INSTRUCTIONS

**OBI WHITEBOARD**

- 1 Place the spacer in between the UPPER FOOT and the panel, assemble the UPPER FOOT onto the panel with 2 bolts on each side with the allen key.



- 2 Assemble the LOWER FOOT onto the UPPER FOOT with 3 bolts on each side with the Allen Key.



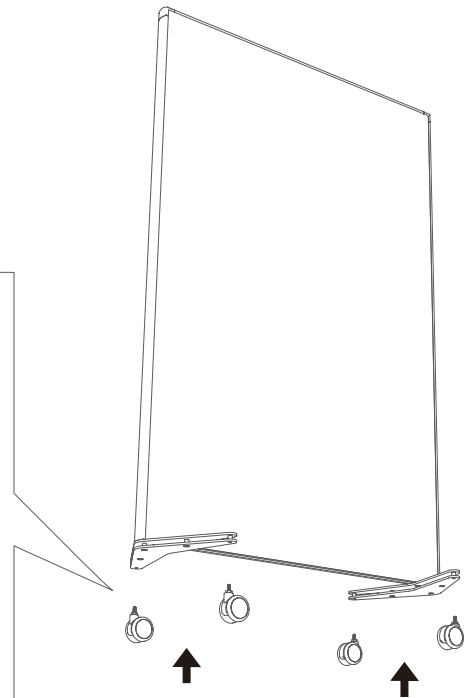
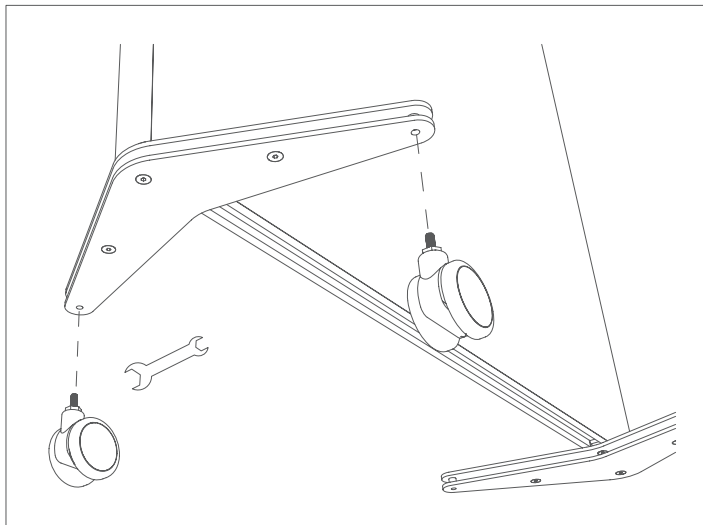
**Thank you for your order!**

For questions or concerns regarding your order or installation, please contact customer service at 1-844-441-1122 or via email at [sales@ayrsonics.com](mailto:sales@ayrsonics.com) (Canada) or [info@usa.ayrsonics.com](mailto:info@usa.ayrsonics.com) (USA).

ASSEMBLY INSTRUCTIONS

# OBI WHITEBOARD

- 3** Use the wrench, put the casters onto the feet.



**Thank you for your order!**

For questions or concerns regarding your order or installation, please contact customer service at 1-844-441-1122 or via email at [sales@ayrsonics.com](mailto:sales@ayrsonics.com) (Canada) or [info@usa.ayrsonics.com](mailto:info@usa.ayrsonics.com) (USA).